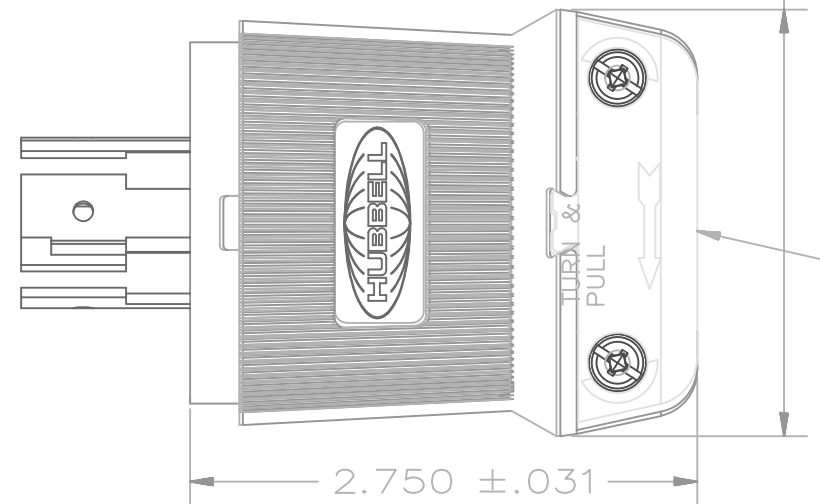
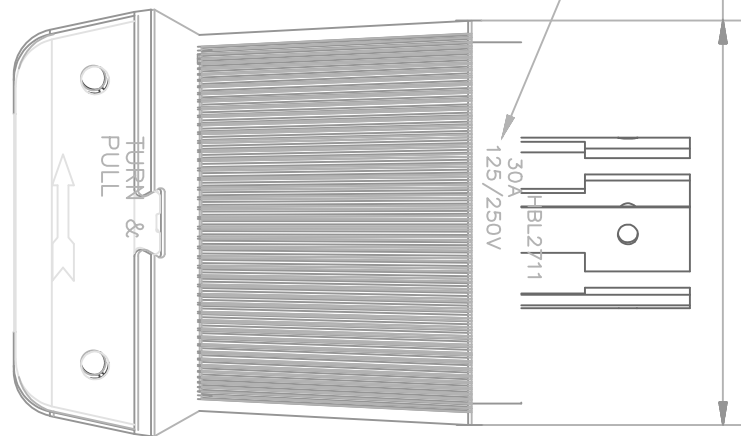


CAT NO. & RATING PRINTED ON BLADE HOLDER, COLOR CODE BY VOLTAGE



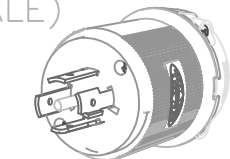
CORD CLAMP RANGE

Ø.35-1.15  
[9.14-29.21]

LIST OF PARTS

DESCRIPTION	MATERIAL	FINISH
COVER	NYLON	BLACK
CORD CLAMP	NYLON	NATURAL
BLADE HOLDER	NYLON	NATURAL
RETAINER	POLY	CLEAR
BLADE	CARBONATE	
	.070	
CENTER GROUND	BRASS	
BLADE & TERM	BRASS	
LUG (5 WIRE)		
WIRE CLAMP	.080	NICKEL
	CRS	PLATE
#10 TERMINAL	BRASS	[A]
SCREWS		
#10 GROUND	BRASS	GREEN
SCREW		
ASSEMBLY FASTENERS	STEEL	ZINC PLATE
DUST SHIELD	TPE	BLACK

CATALOG NO. HBL2811  
(NOT SHOWN TO SCALE)



NEMA NO.	RATING	POLE/WIRE	CAT NO.	CORROSION RESISTANT <input type="checkbox"/>	VOLTAGE COLOR CODE	UL	CSA	FED SPEC	CONFIGURATION
L14-30P	125/250V	3P/4W GROUNDING	HBL2711 HBL2711BK <input type="checkbox"/>	HBL27CM11	ORANGE	YES	YES	YES	
L15-30P	3Ø250 VAC	3P/4W GROUNDING	HBL2721	HBL27CM21	BLUE	YES	YES	YES	
L16-30P	3Ø480 VAC	3P/4W GROUNDING	HBL2731	HBL27CM31	RED	YES	YES	YES	
L17-30P	3Ø 600 VAC	3P/4W GROUNDING	HBL2741	HBL27CM41	BLACK	YES	YES	YES	
L18-30P	3ØY 120/208VAC	4P/4W NON-GROUNDING	HBL2751	-----	BLUE	YES	NO	YES	
L19-30P	3ØY 277/480VAC	4P/4W NON-GROUNDING	HBL2761	-----	RED	YES	NO	YES	
L20-30P	3ØY 347/600VAC	4P/4W NON-GROUNDING	HBL2771	-----	BLACK	YES	YES	YES	
L21-30P	3ØY 120/208VAC	4P/5W GROUNDING	HBL2811 HBL2811BK <input type="checkbox"/>	HBL28CM11	BLUE	YES	NO	YES	
L22-30P	3ØY 277/480VAC	4P/5W GROUNDING	HBL2821	-----	RED	YES	YES	YES	
L23-30P	3ØY 347/600VAC	4P/5W GROUNDING	HBL2831	-----	BLACK	YES	YES	YES	
L26-30P	3ØY 240/415VAC	4P/5W GROUNDING	HBL2801	-----	RED	YES	YES	YES	

- WHITE FINISH ON NEUTRAL CONTACT WHEN USED.
- CM DEVICES SAME AS ABOVE EXCEPT: COVER & CORD CLAMP YELLOW TERMINAL SCREWS & CONTACT-NICKEL PLATED. WIRE CLAMPS - BRASS,NICKEL PLATE. ASSEM FASTENERS - STAINLESS STEEL.
- BK DEVICES ARE SAME AS ABOVE EXCEPT ALL BLACK.

NOTES: 1. ALL SCREWS ARE COMBINATION PHILLIPS/SLOTTED/ROBERTSON HEAD.  
2. REMOVED THIS NOTE.  
3. DIMENSIONS ARE IN INCHES [mm].

SYM	REVISIONS	APP	DATE

THE DESIGN AND DIMENSIONS OF THE PRODUCT SHOWN ON THIS DRAWING ARE SUBJECT TO CHANGE WITHOUT NOTICE

TITLE  
30A 4 & 5-WIRE  
TWIST-LOCK PLUG

TOLERANCES UNLESS OTHERWISE SPECIFIED  
.XX = ±.01  
.XXX = ±.005  
ANGLES = ±2'

WIRING DEVICE-KELLEMS HUBBELL INCORPORATED SHELTON, CT  
DR. BY B.C. APP. BY DJP  
TR. BY SCALE NONE  
CHK'D:BBY DJP DATE 03/02/98

DIMENSION SHEET FOR CAT. NO. SEE TABLE

REPAIRABLE

NON-REPAIRABLE

B

M-7900

8